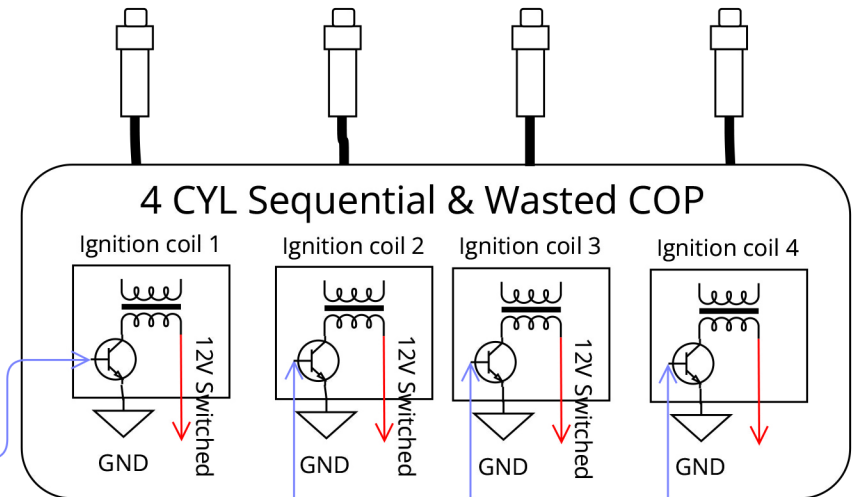
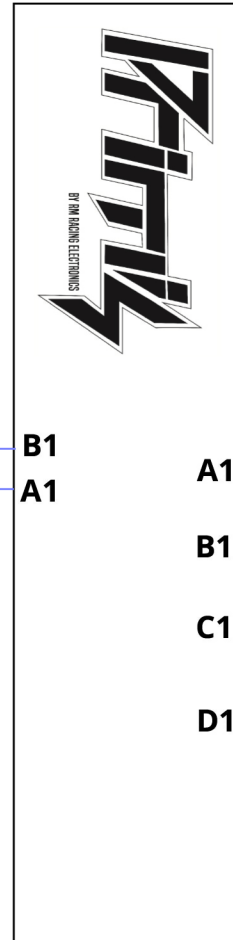
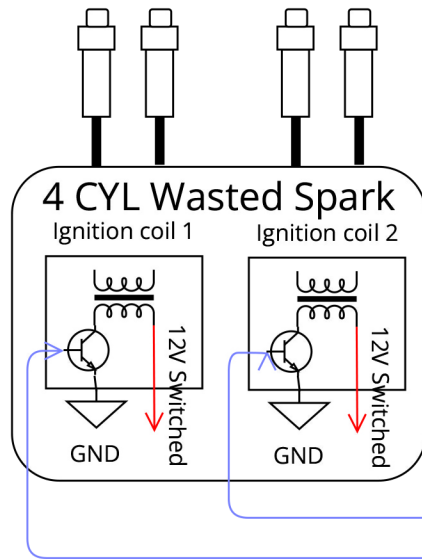


# Ignition coils wiring example

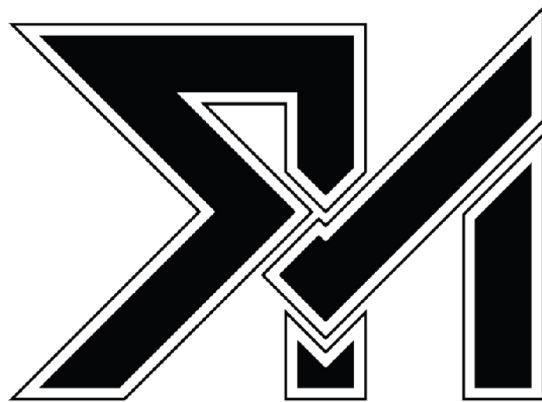
## 4 CYL wasted spark,wasted COP & Sequential

The RM-Primis is only compatible with Smart Coils and outputs a 5v trigger signal.

If the ignition coilpacks you are using don't have internal igniters you will need and amplifier module.



For a different number of cylinders just follow the same principles and configure your ecu on RM-Tuner for your ignition type.



**RACING ELECTRONICS**

For more technical information and support please visit [help.primis-ecu.co.uk](http://help.primis-ecu.co.uk)

RM-Primis & RM Racing Electronics are trademarks of RM Racing Electronics LTD, all rights reserved