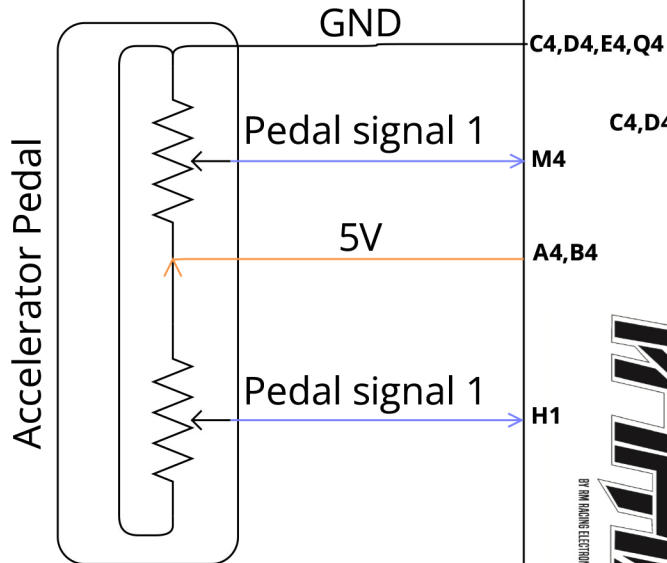


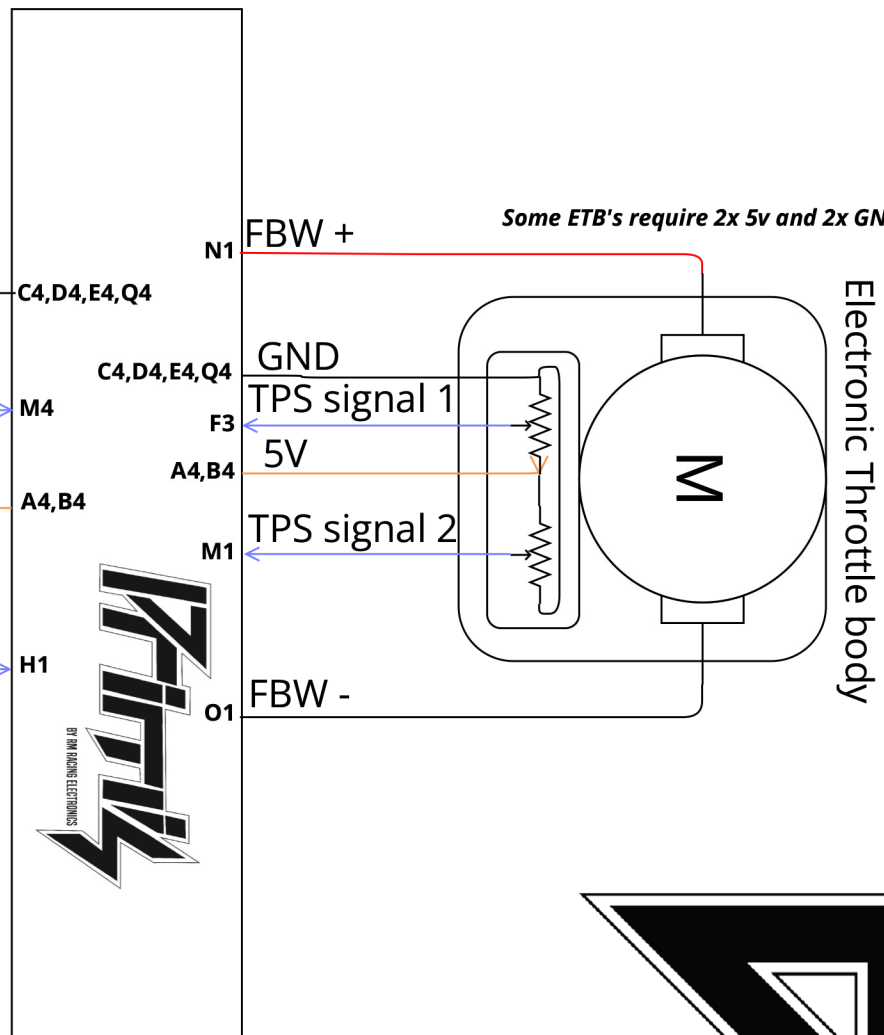
Electronic Throttle Wiring example

Only available on RM-Primis ETC enabled

Some pedals require 2x 5v and 2x GND



Some ETB's require 2x 5v and 2x GND



Accelerator Pedal

Electronic Throttle body



RACING ELECTRONICS

Both pedal position sensors and throttle position sensors are required to be linear, when calibration is done on RM-Tuner the software will automatically read the maximum and minimum positions and calibrate them from 0-100% In case only one of the sensors outputs a linear signal or if the throttle body or pedal only has one position sensor you can feed the same signal to both inputs but for safety purposes, we always recommend you to use two sensors for the pedal and two for the ETB.

The ETB opening and closing directions are automatically detected during calibration, polarity is not too important.

For more technical information and support please visit help.primis-ecu.co.uk
RM-Primis & RM Racing Electronics are trademarks of RM Racing Electronics LTD, all rights reserved